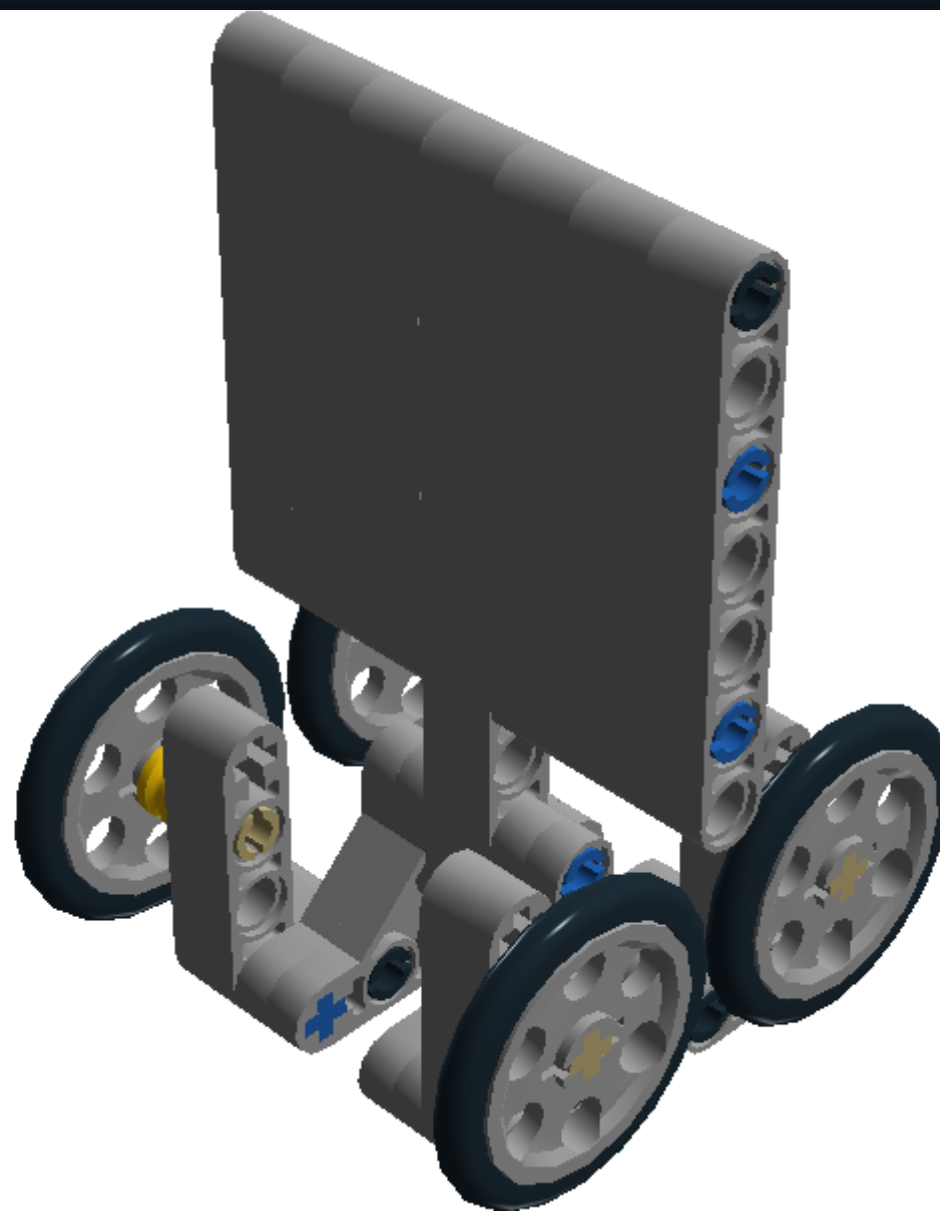




Model Name:  
**RoboRace**

Number of Bricks: 51

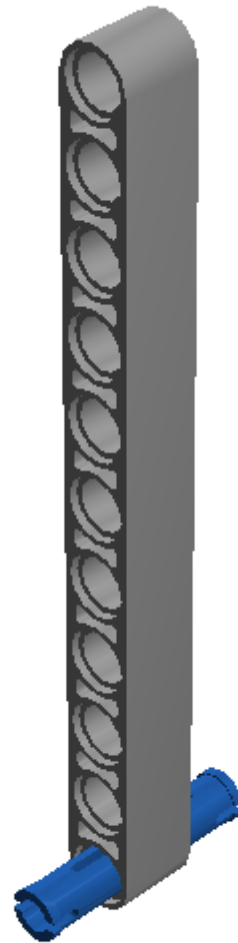


Step 1 of 18

1 x



1 x



Step 2 of 18

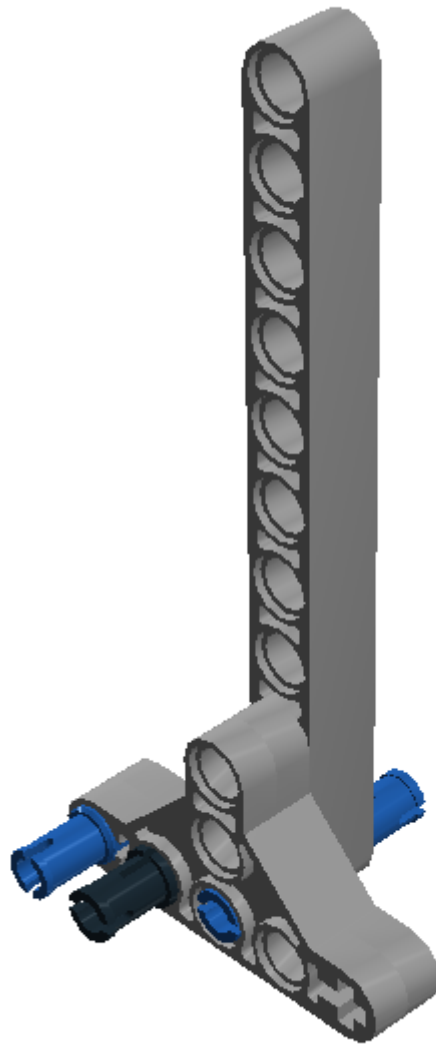
2 x



1 x



1 x



Step 3 of 18

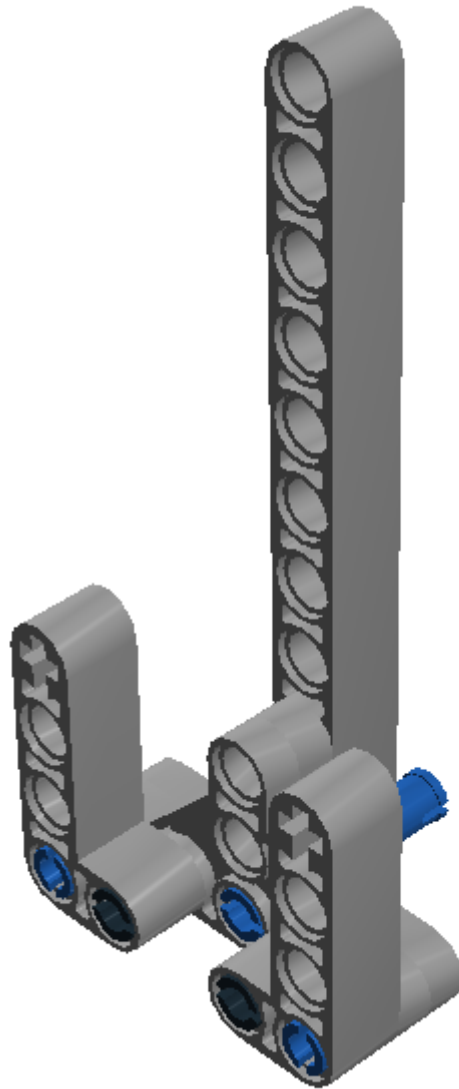
2 x



1 x



1 x



Step 4 of 18

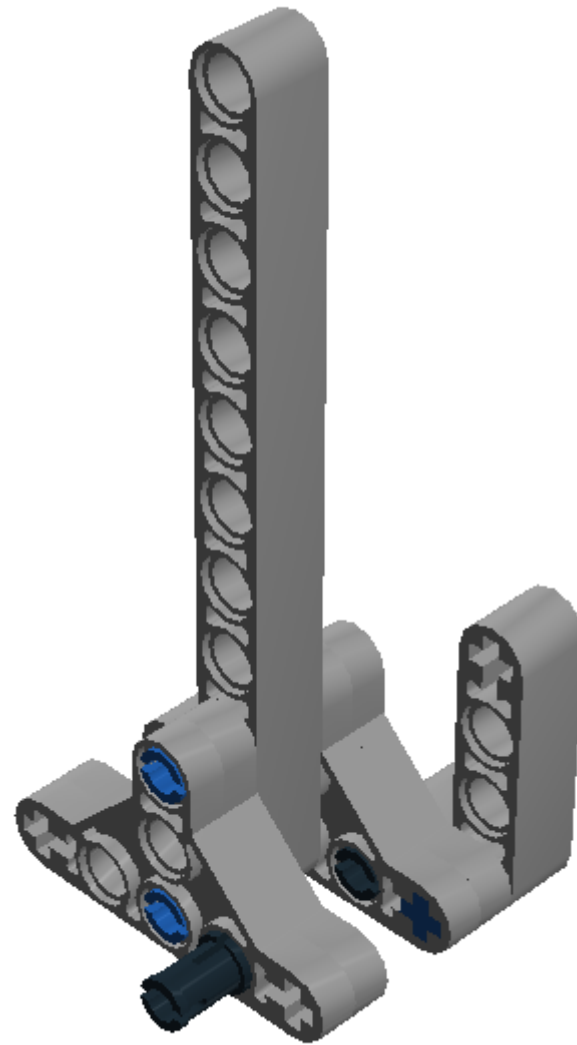
2 x



1 x

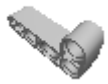


1 x



Step 5 of 18

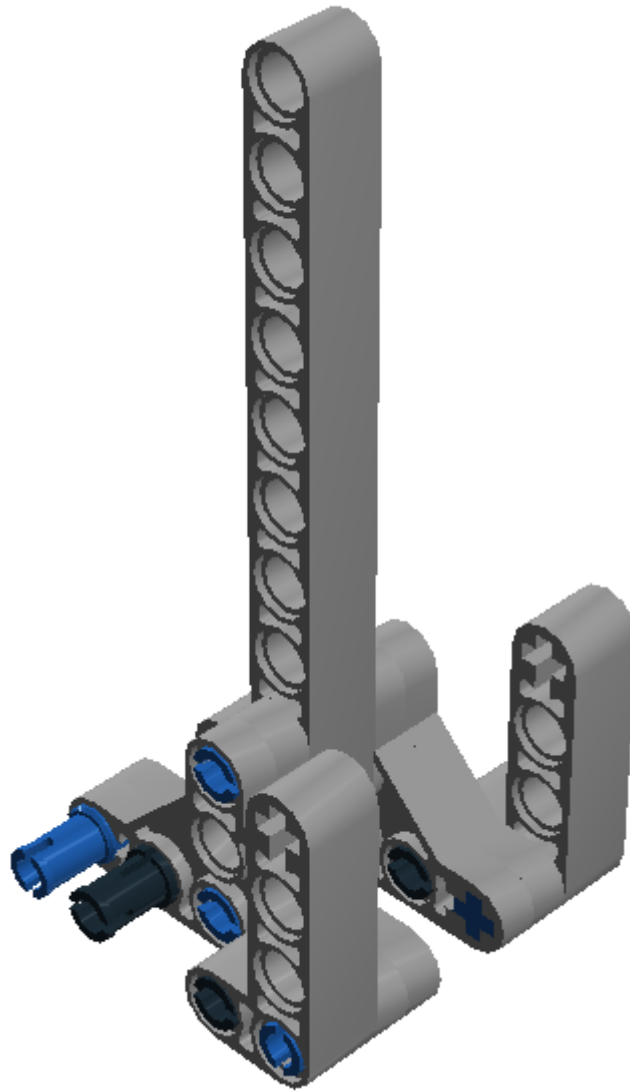
1 x



1 x



2 x

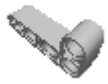


Step 6 of 18

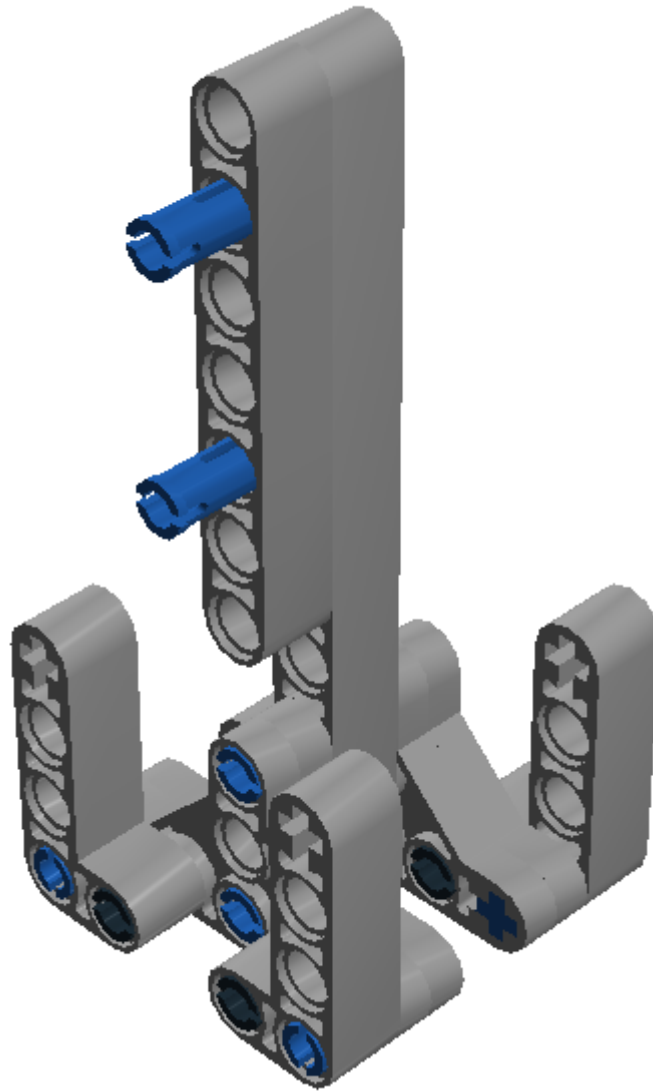
1 x



1 x



2 x



Step 7 of 18

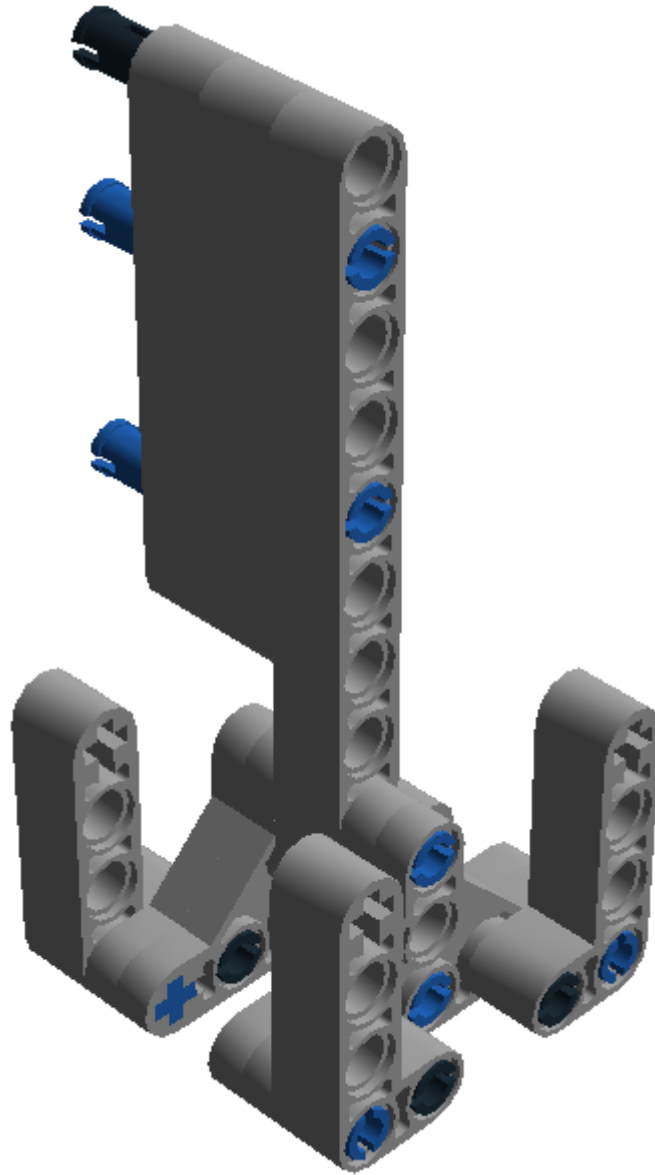
1 x



1 x



2 x



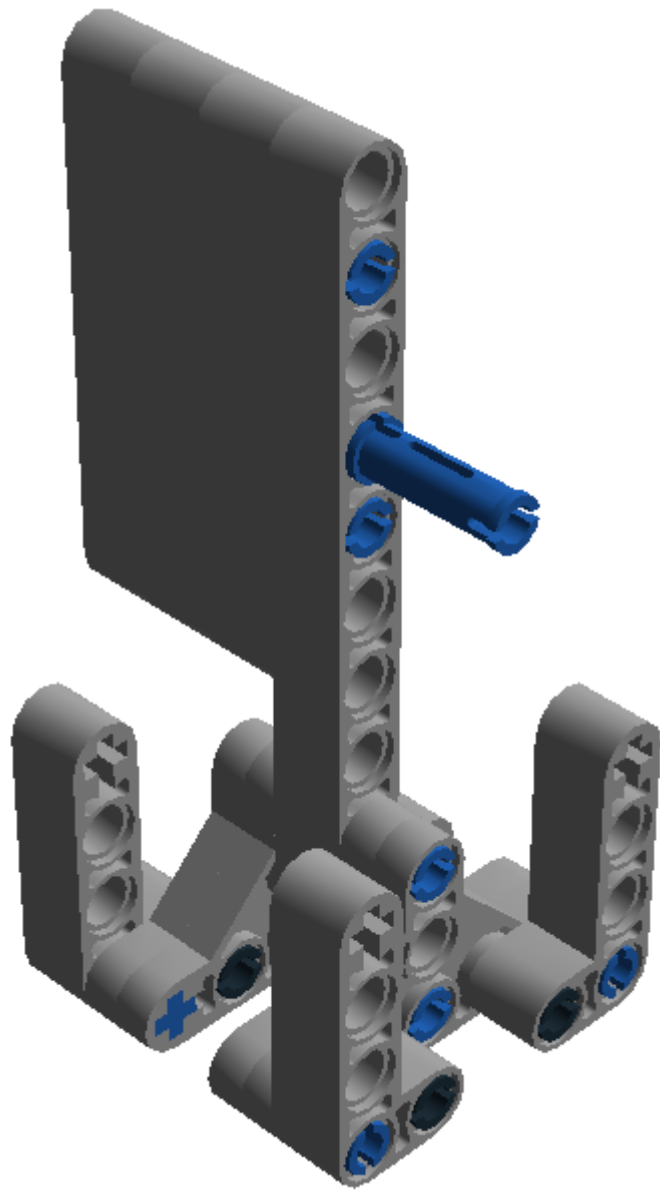


Step 8 of 18

1 x



1 x

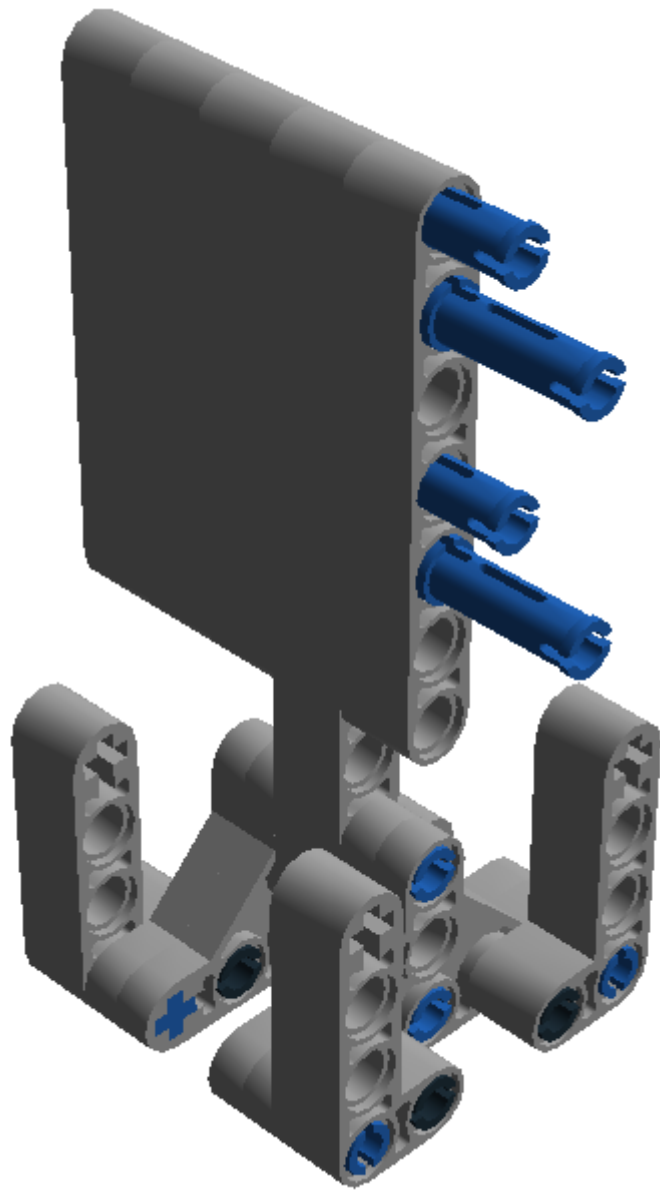


Step 9 of 18

1 x



3 x

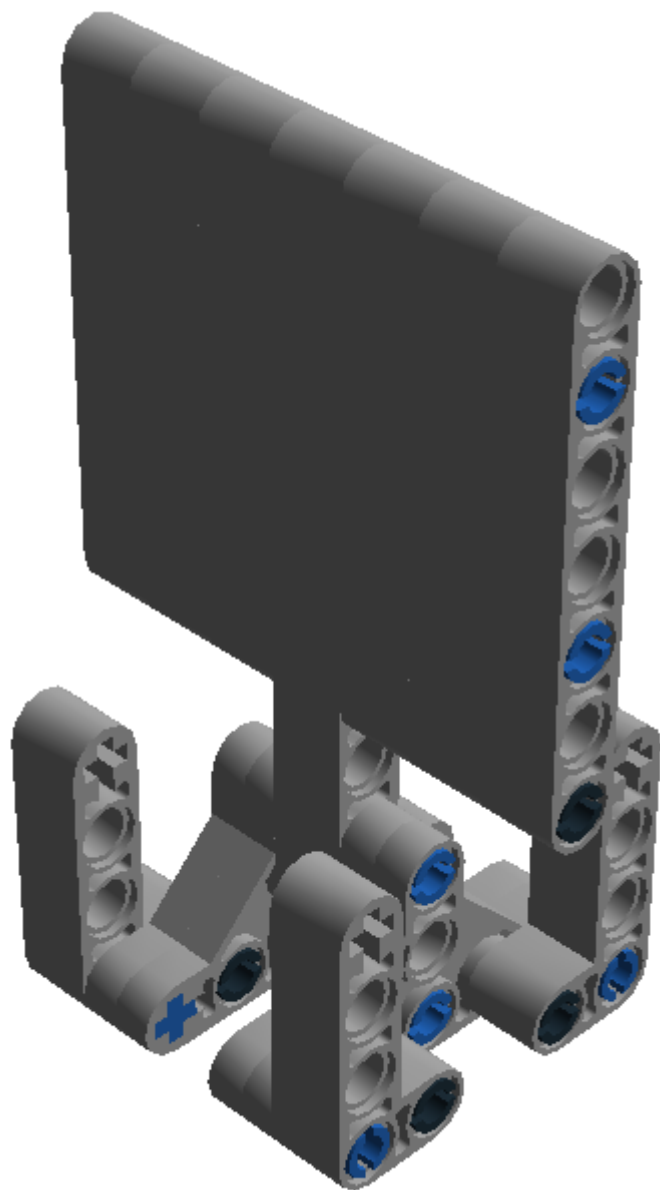


Step 10 of 18

2 x



1 x



Step 11 of 18

1 x



1 x



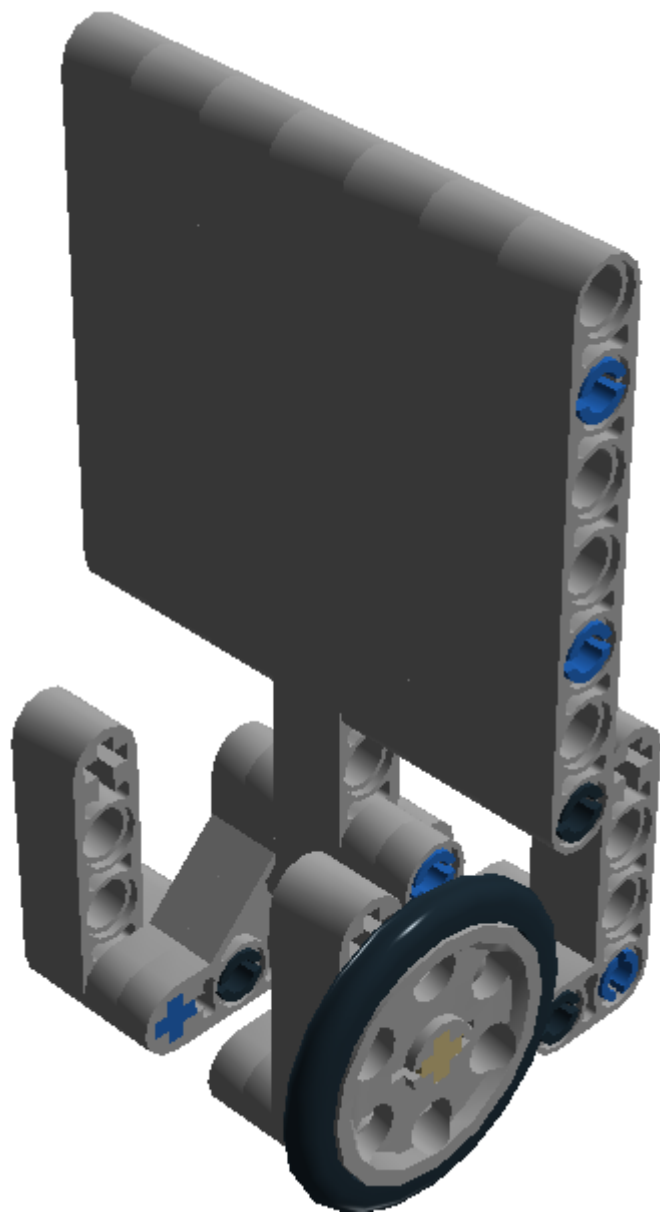
1 x



1 x



Step 12 of 18



Step 13 of 18

1 x



1 x



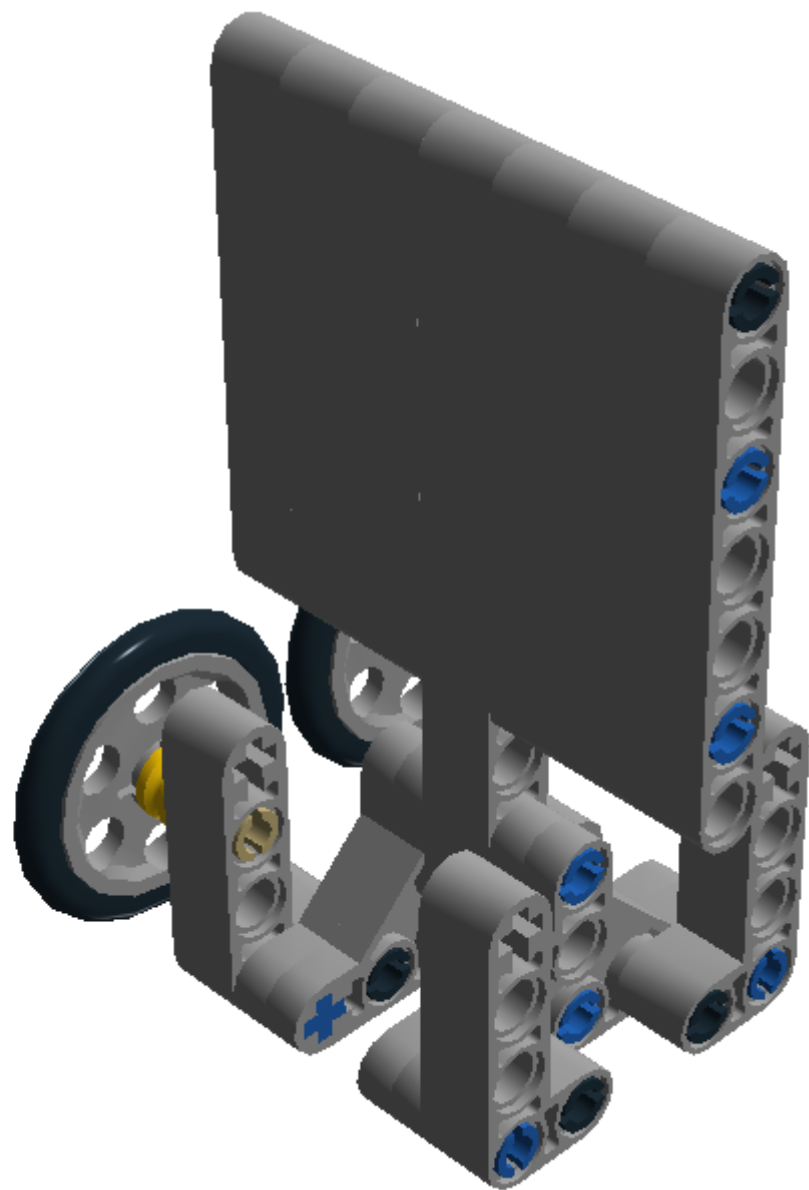
1 x



1 x



Step 14 of 18



Step 15 of 18

1 x



1 x



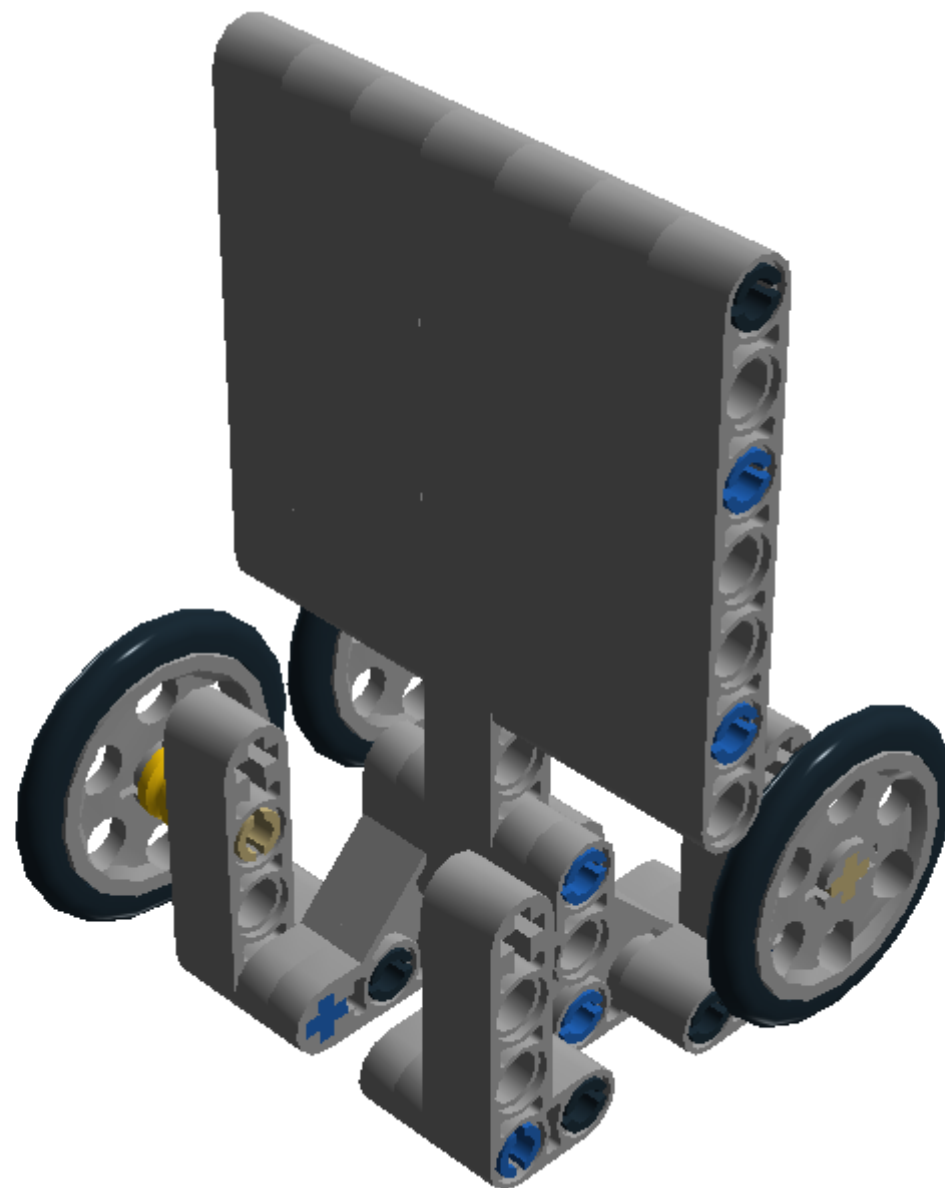
1 x



1 x







Step 17 of 18

1 x



1 x

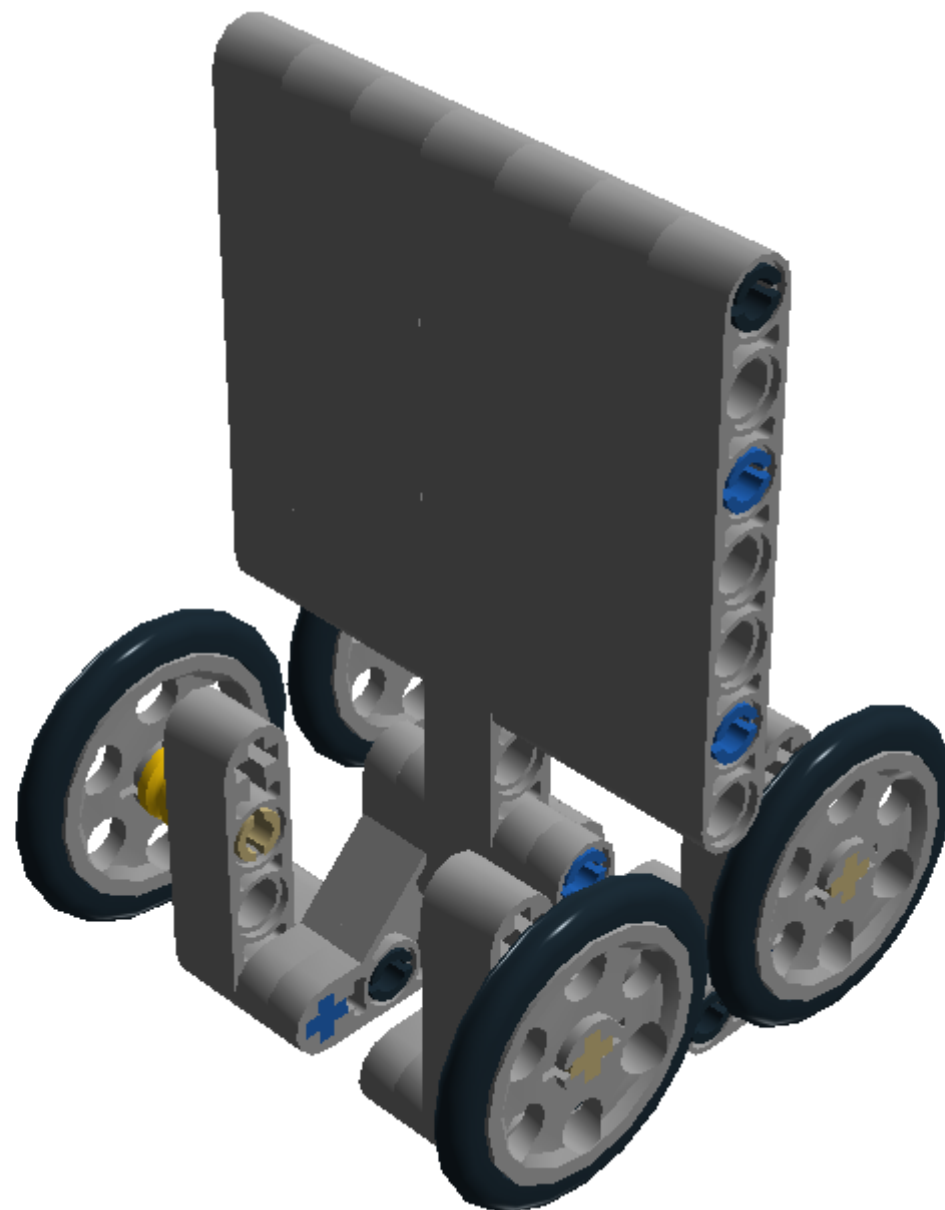



1 x




1 x







6 x  4495930 TECHNIC 7M BEAM - ??  
Material194??


4 x  4211610 TECHNIC ANG. BEAM 4X2  
90 DEG - ??Material194??


1 x  4611705 TECHNIC 11M BEAM - ??  
Material194??


4 x  6009019 TRIANGEL - ??  
Material194??


4 x  4239601 1/2 BUSH - ??Material24??

6 x  4121715 CONNECTOR PEG W.  
FRICTION - ??Material26??

4 x  4666579 CONNECTOR PEG/CROSS  
AXLE - ??Material5??

4 x  4206482 CONN.BUSH  
W.FRIC./CROSSALE - ??  
Material23??

10 x  4514553 CONNECTOR PEG W.  
FRICTION 3M - ??  
Material23??

4 x  4494222 WEDGE-BELT WHEEL Ø24  
- ??Material194??

4 x  6028041 TYRE FOR WEDGE-BELT  
WHEEL - ??Material26??

© 2012 The LEGO Group. All rights reserved.  
Use of the LEGO Digital Designer html print tool, signifies your agreement to the terms of use.