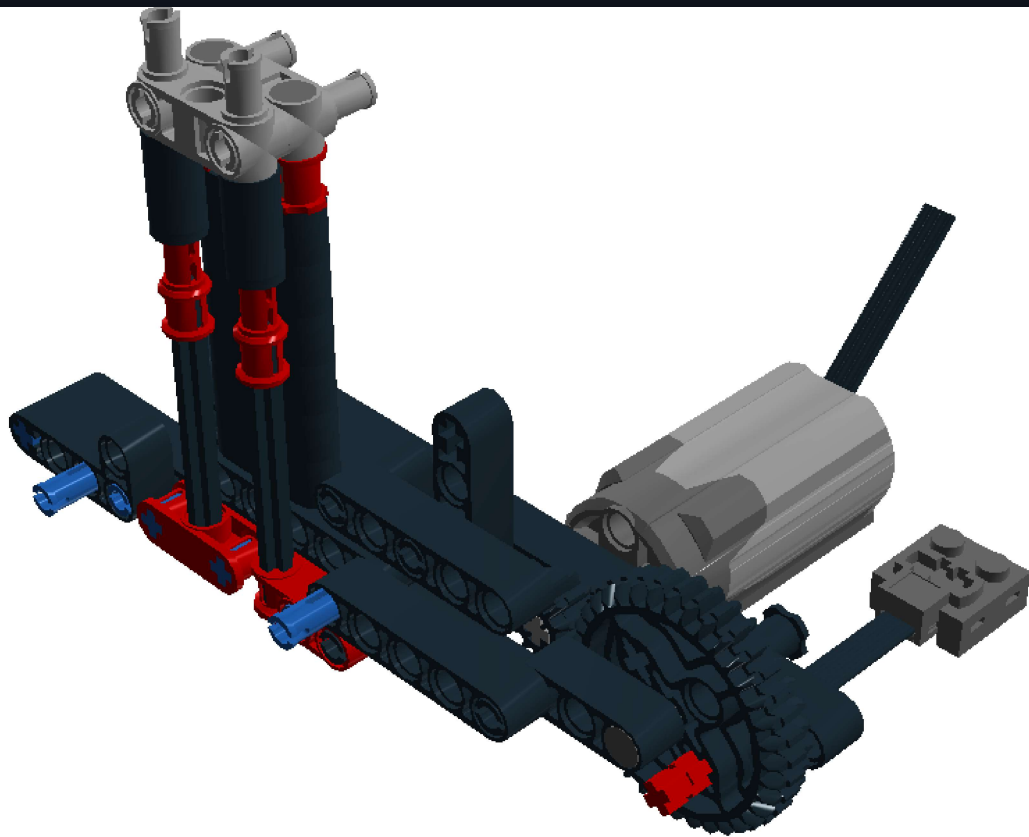


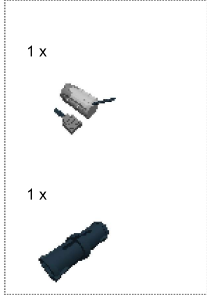
LEGO DIGITAL DESIGNER 4.2

Model Name:
Magazin

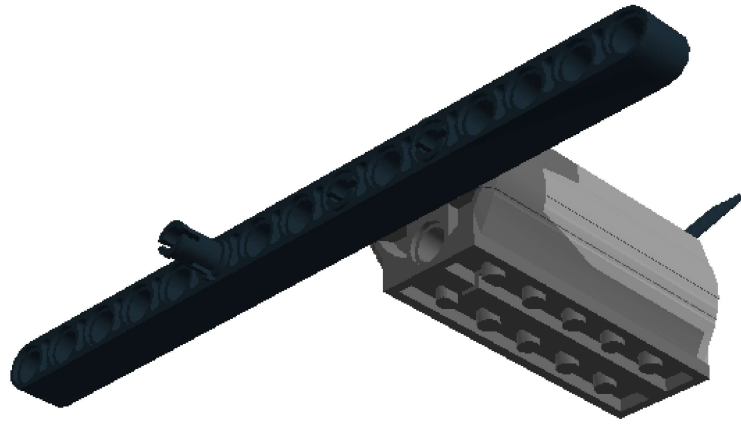
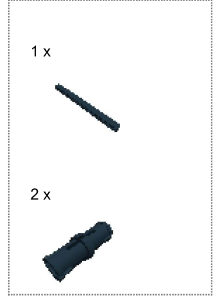
Number of Bricks: 56



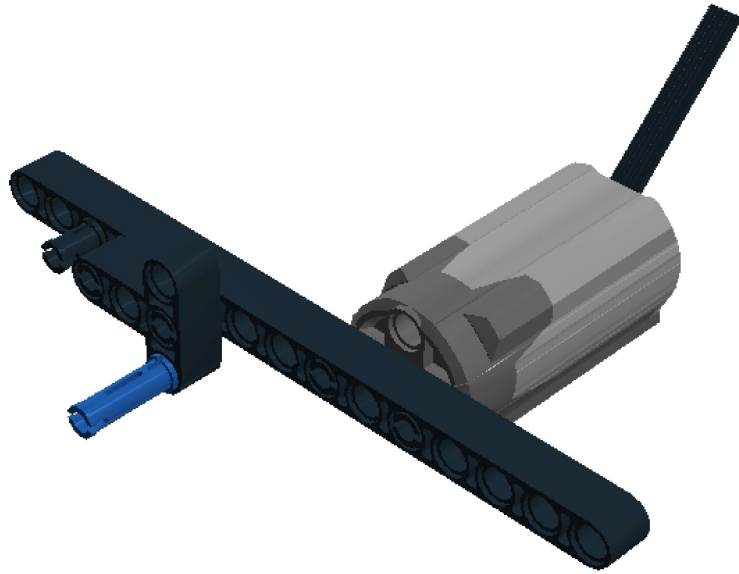
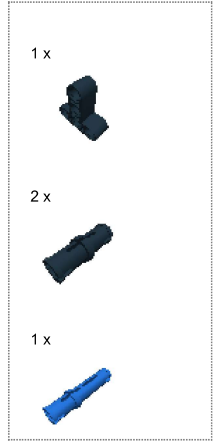
Step 1 of 25







Step 2 of 25

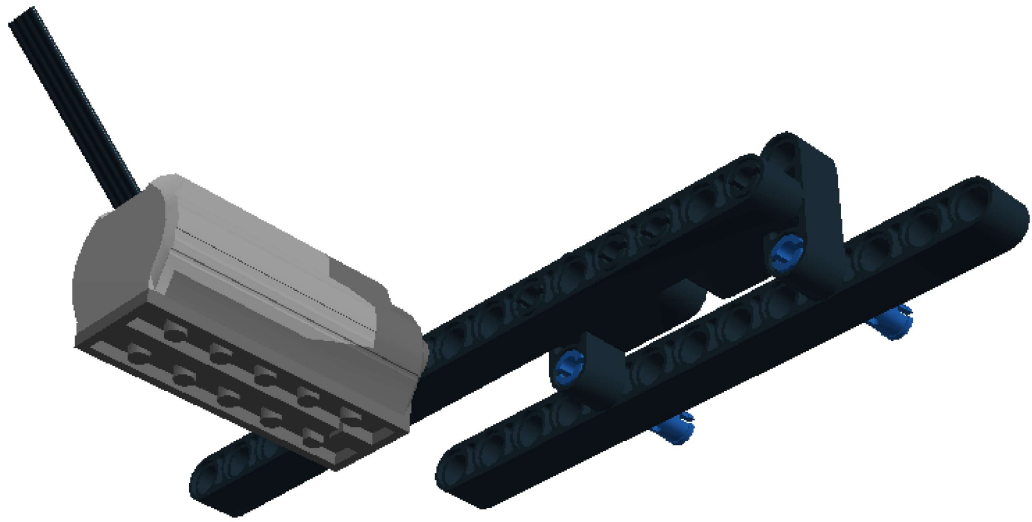


Step 3 of 25







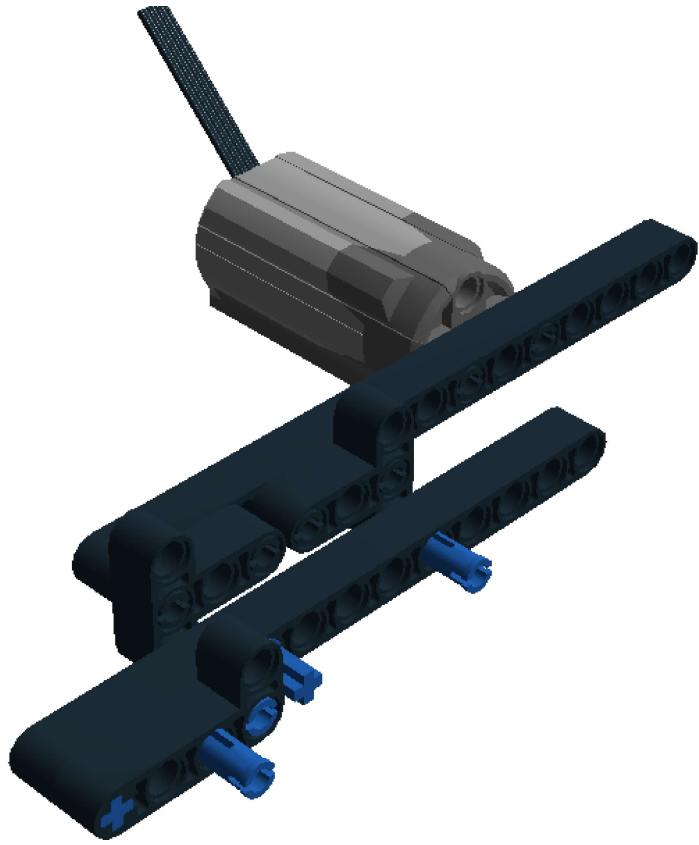
Step 4 of 25

- 1 x 
- 1 x 
- 1 x 
- 1 x 

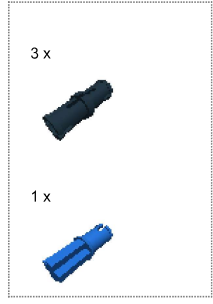


Step 5 of 25

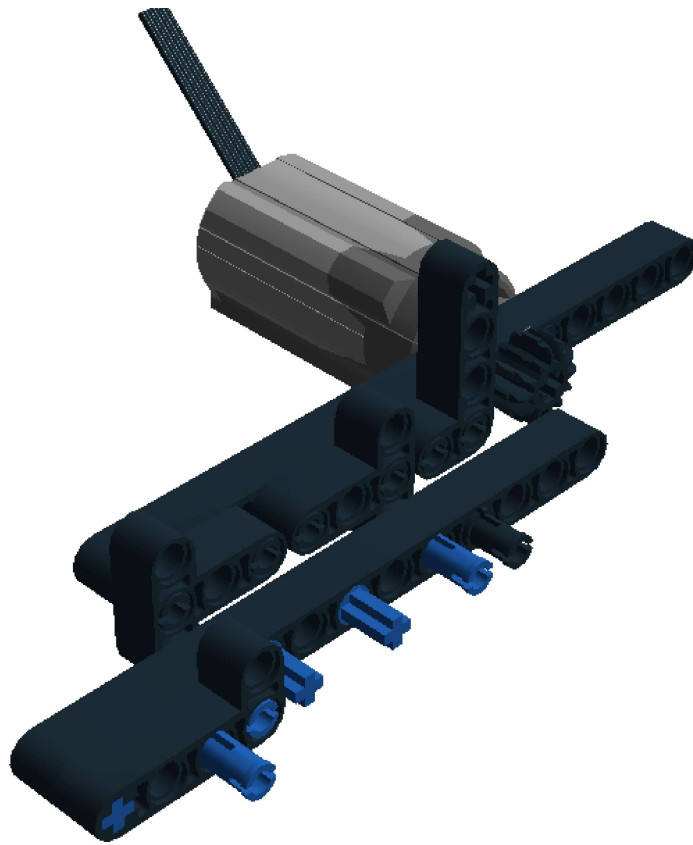
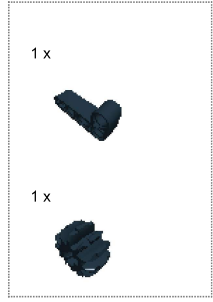
- 1 x 
- 1 x 
- 1 x 
- 1 x 



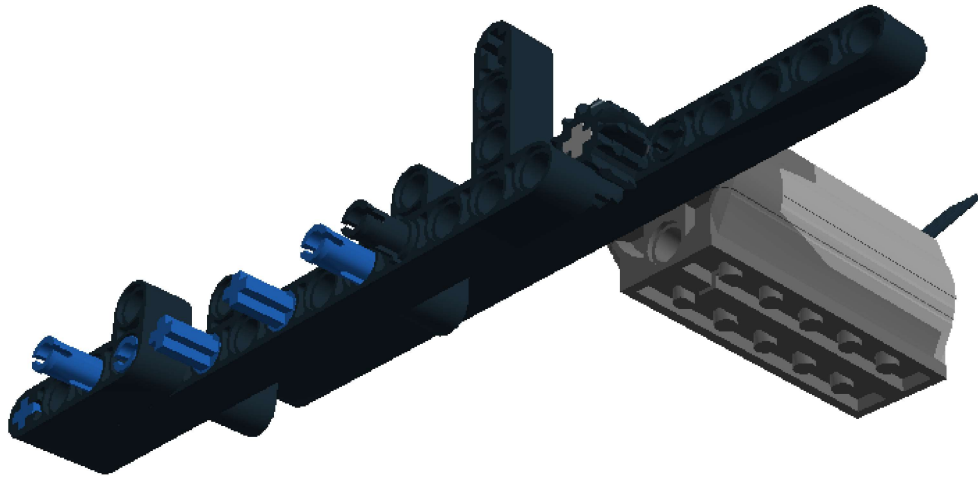
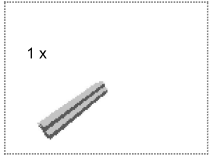
Step 6 of 25



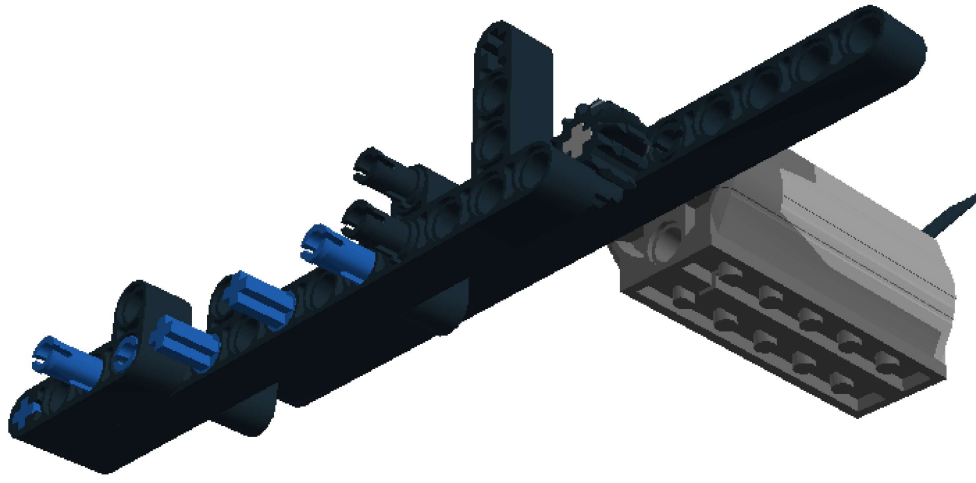
Step 7 of 25



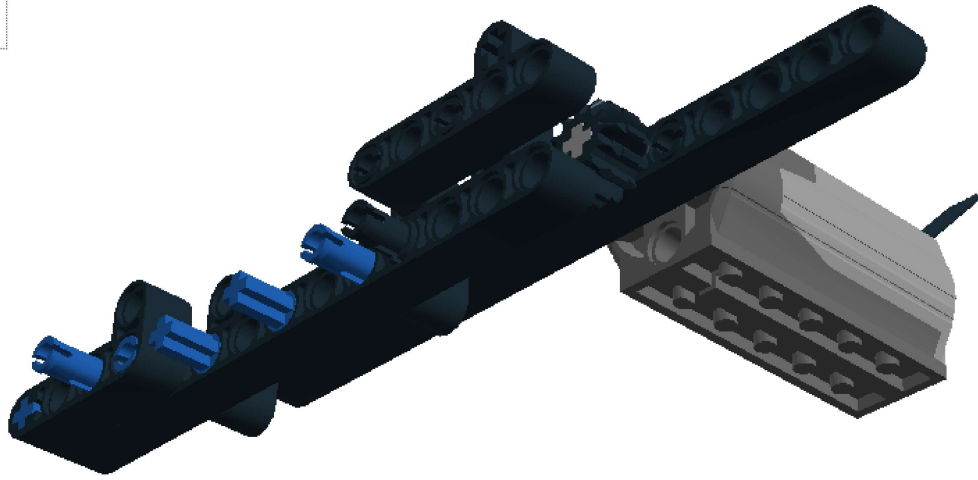
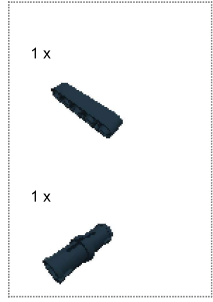
Step 8 of 25



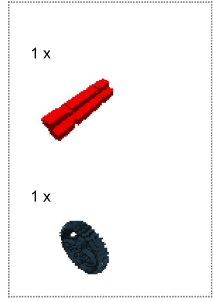
Step 9 of 25

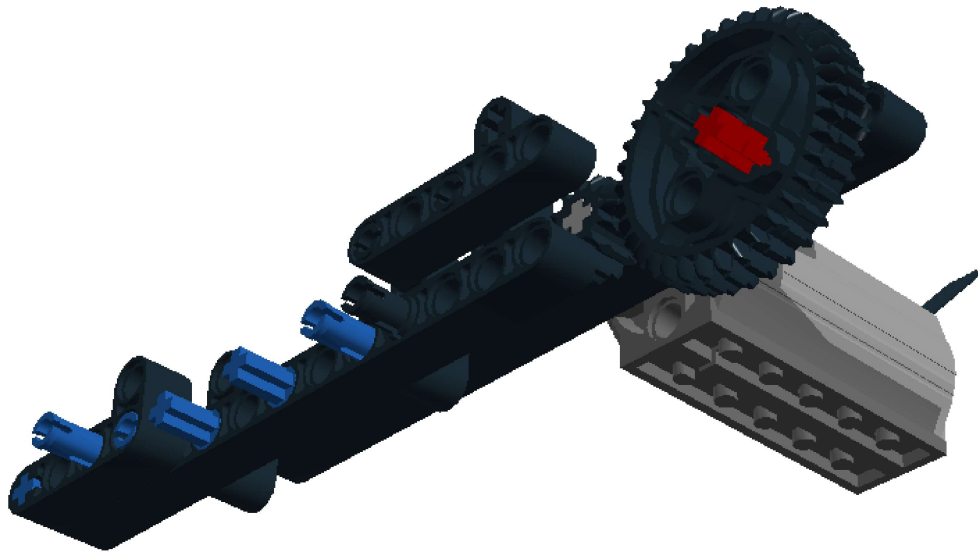


Step 10 of 25

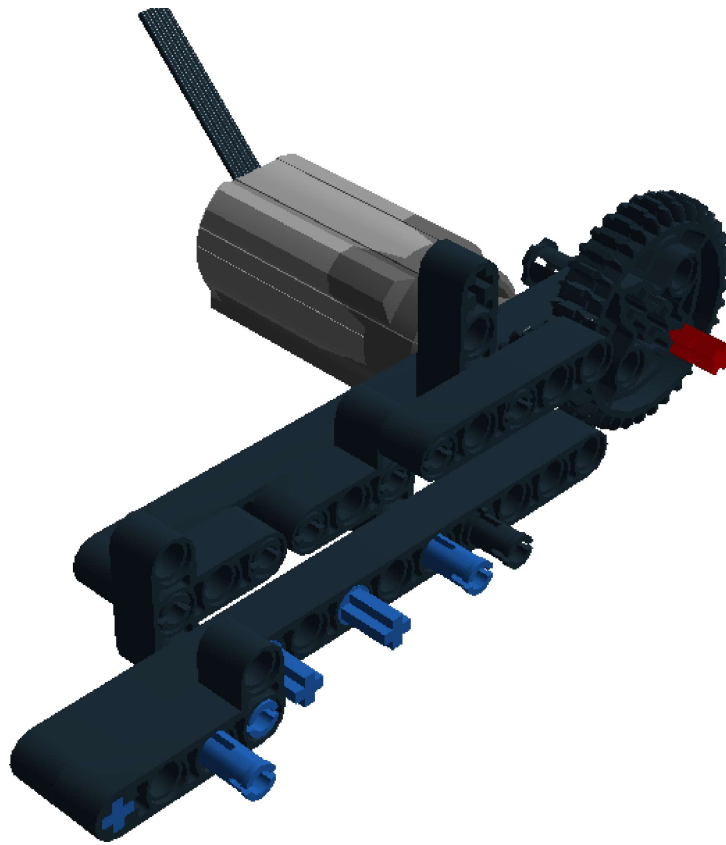


Step 11 of 25

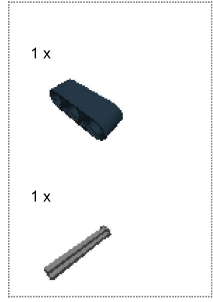




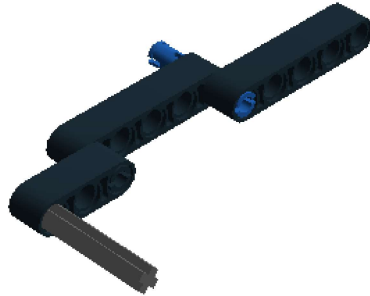
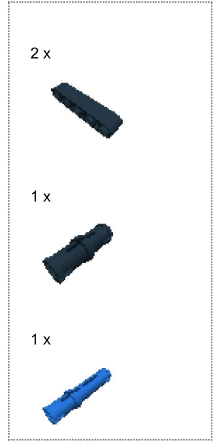
Step 13 of 25



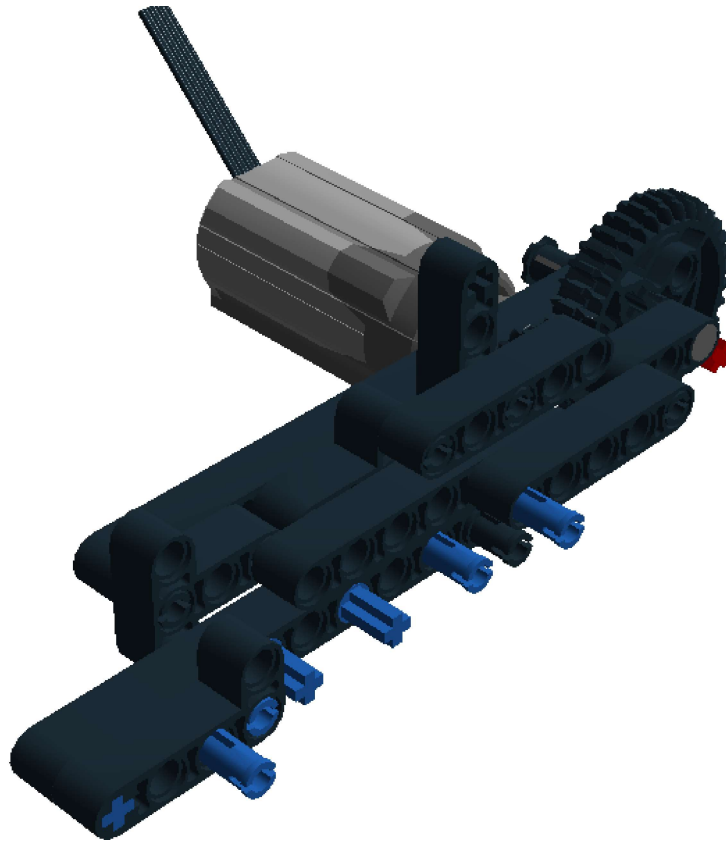
Step 14 of 25



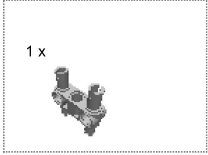
Step 15 of 25



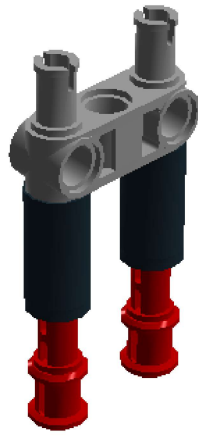
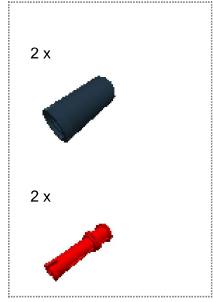
Step 16 of 25



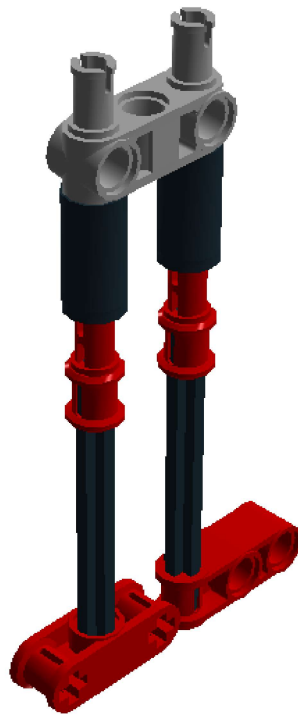
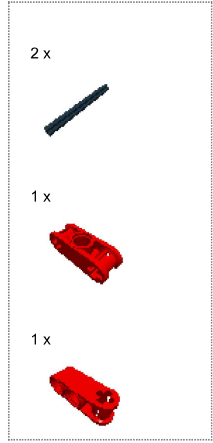
Step 17 of 25



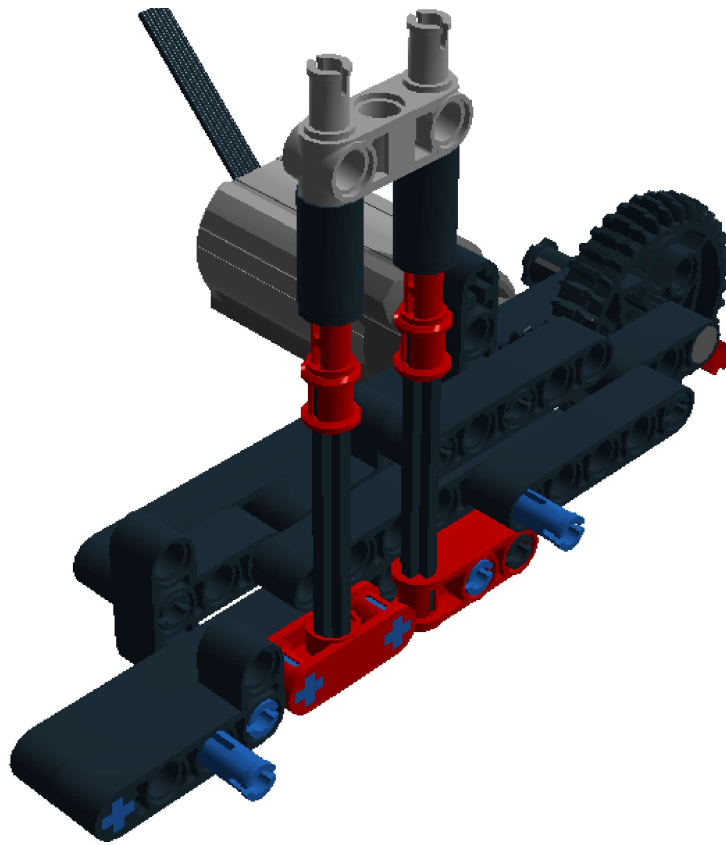
Step 18 of 25



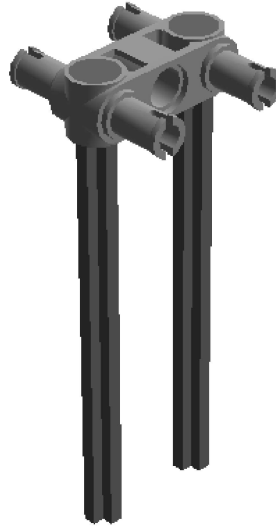
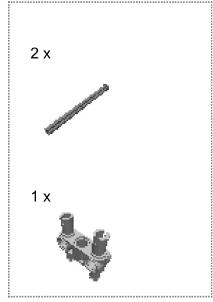
Step 19 of 25



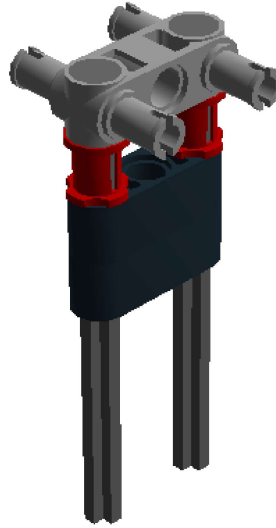
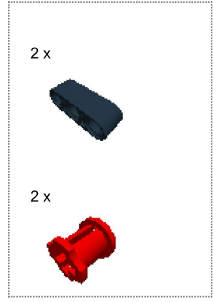
Step 20 of 25



Step 21 of 25



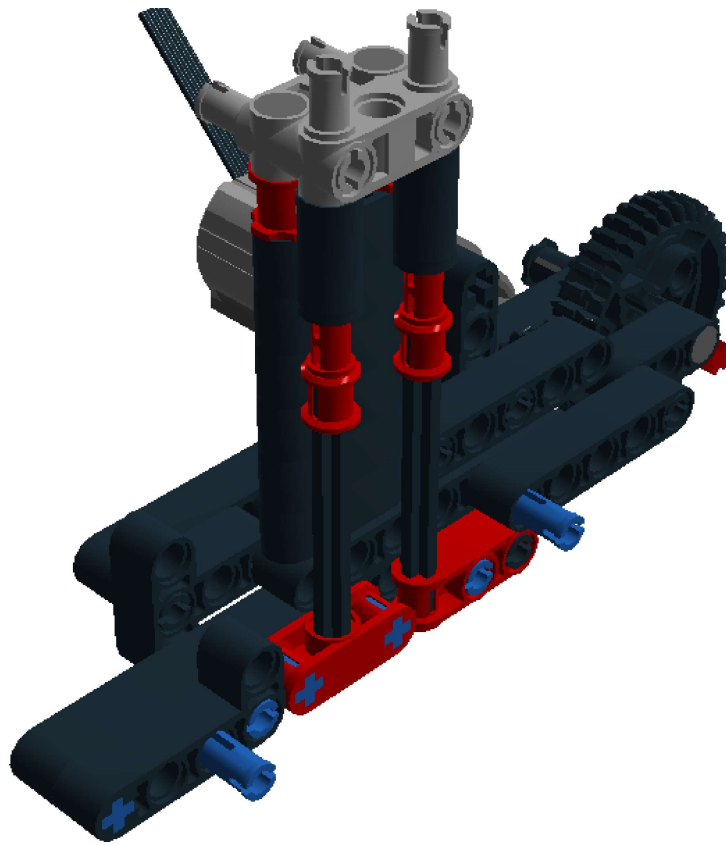
Step 22 of 25



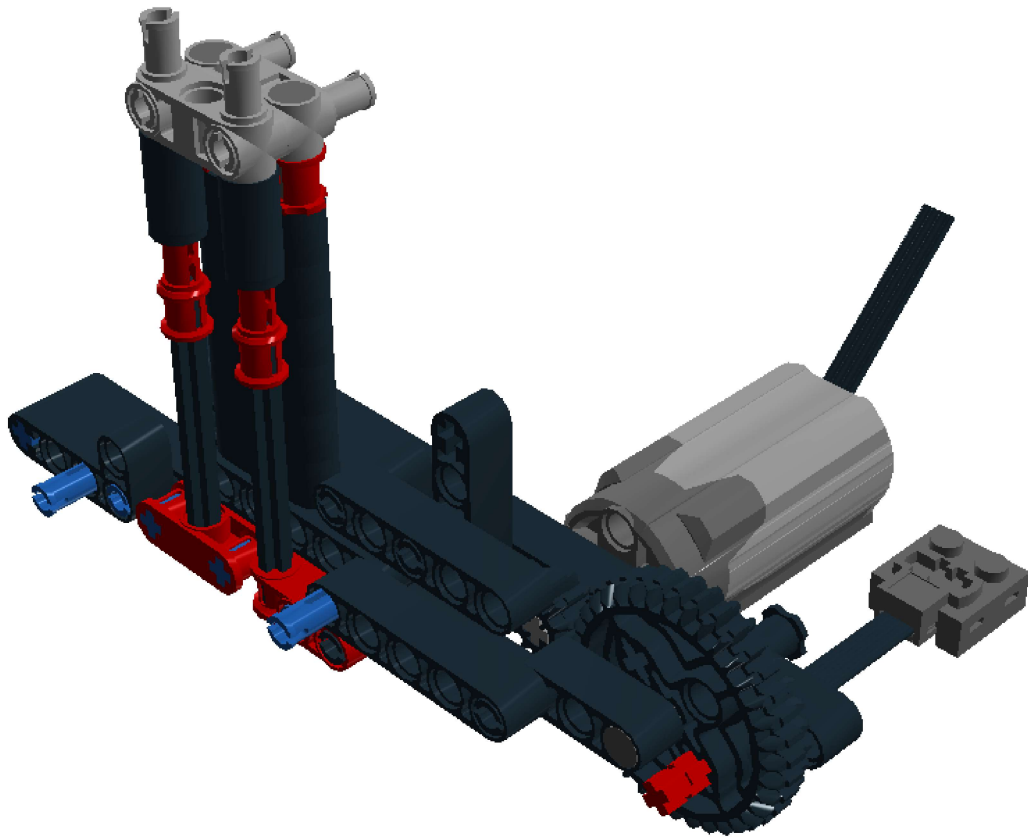
Step 23 of 25




























Step 24 of 25



Step 25 of 25



1 x		4506083	FUNC. MOTOR 24X6M - ?? Material26??,?? Material106??,?? Material194??,?? Material199??	7 x		4142822	TECHNIC 3M BEAM - ?? Material26??	3 x		4140429	TECHNIC 5M BEAM - ?? Material26??
2 x		4120017	TECHNIC ANG. BEAM 4X2 90 DEG - ??Material26??	2 x		4535771	T-BEAM 3X3 W/HOLE Ø4.8 - ??Material26??	1 x		4164422	TECHNIC 13M BEAM - ?? Material26??
1 x		4128603	TECHNIC 15M BEAM - ?? Material26??	1 x		4142865	2M CROSS AXLE W. GROOVE - ??Material21??	12 x		278026	CONNECTOR PEG W. FRICTION - ??Material26??
1 x		4211815	CROSS AXLE 3M - ?? Material194??	2 x		4225927	CONNECTOR PEG/CROSS AXLE - ??Material23??	1 x		4177421	BUSH FOR CROSS AXLE - ??Material26??
2 x		4227155	BUSH FOR CROSS AXLE - ??Material21??	1 x		4189110	CONN.BUSH W,FRIC./CROSSALE - ?? Material23??	4 x		4514553	CONNECTOR PEG W. FRICTION 3M - ?? Material23??
2 x		75619	TUBE Ø7,84 2M - ?? Material26??	2 x		370626	CROSS AXLE 6M - ?? Material26??	1 x		4560177	CROSS AXLE 4M WITH END STOP - ?? Material199??
2 x		4125198	2M FRIC. SNAP W/CROSS HOLE - ??Material21??	1 x		4128598	DOUBLE CROSS BLOCK - ??Material21??	1 x		4175442	CROSS BLOCK 3M - ?? Material21??
2 x		4499858	CROSS AXLE 8M WITH END STOP - ?? Material199??	2 x		4225033	BEAM 3 M. W/4 SNAPS - ??Material194??	1 x		4177431	DOUBLE CONICAL WHEEL Z12 1M - ??Material26??
1 x		4177434	DOUBLE CONICAL WHEEL Z36 - ??Material26??								

